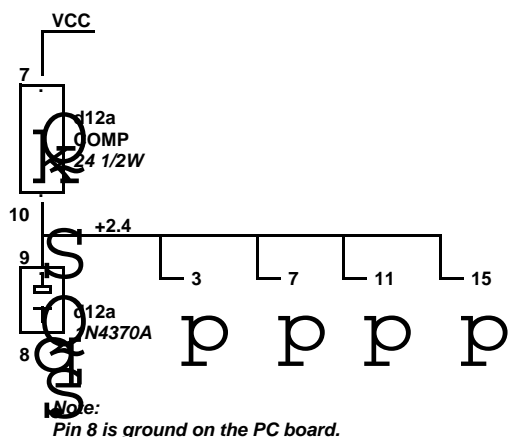


Note:

For use with Local Host style interface, use only high sides of input and output drivers. Let the low side of the output drivers float and tie the low side of the receivers to about 2 volts.



This page has pins assigned for the PC version of the Alto-1822

